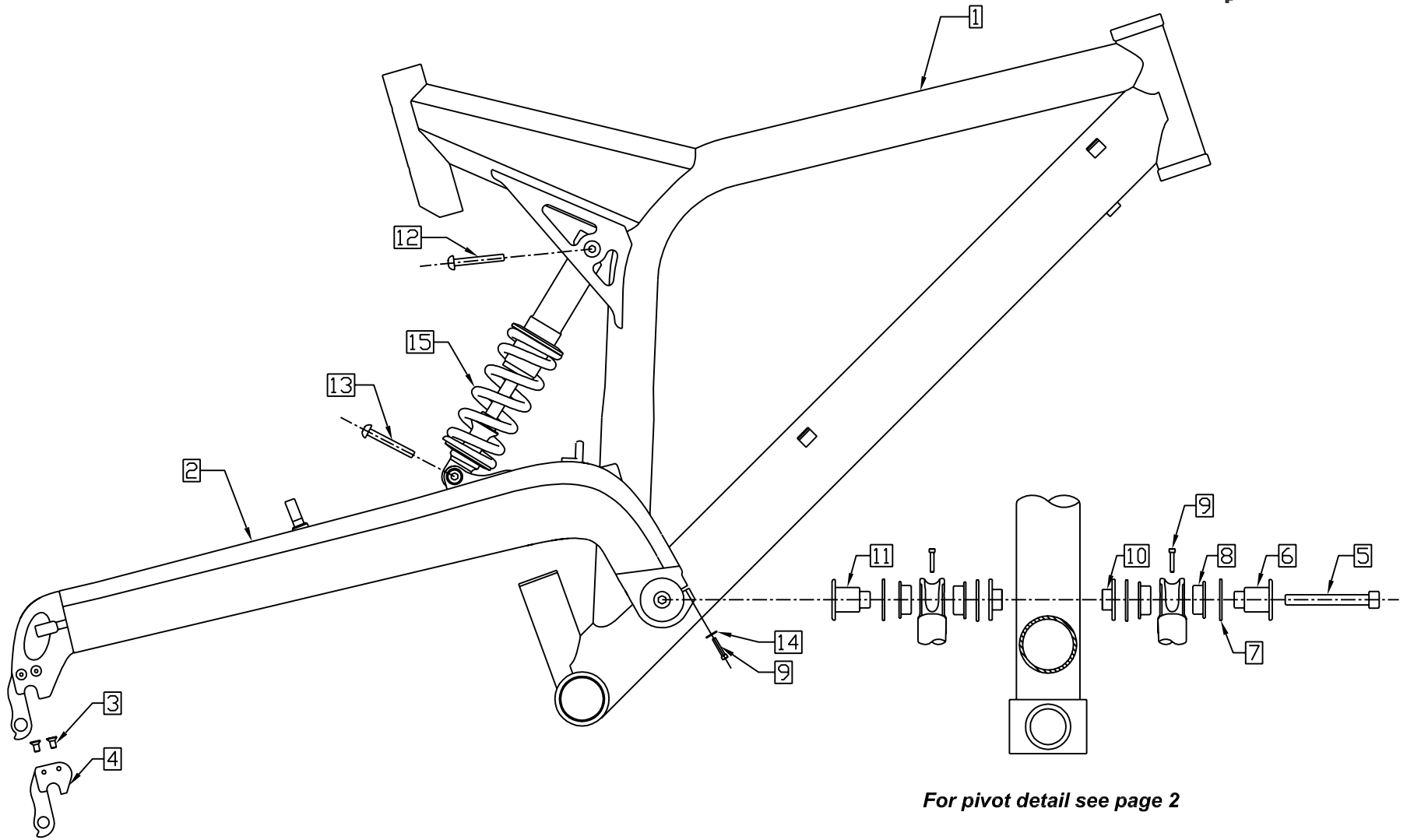
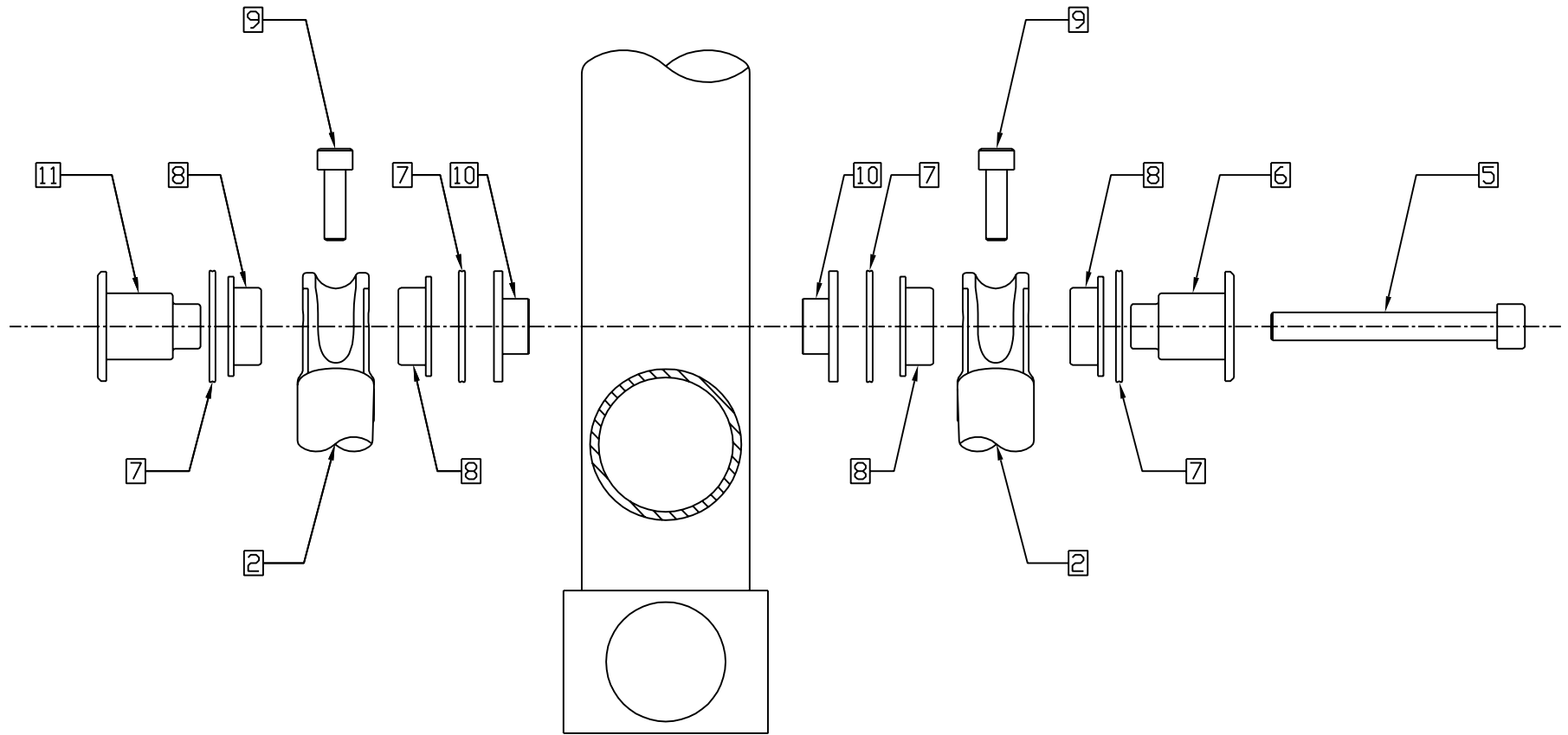


# 1998 EVO FRAME ASSEMBLY



# 1998 EVO PIVOT ASSEMBLY



## 1998 EVO FRAME ASSEMBLY

ITEM#	PART#	KIT#	QTY.	DESCRIPTION
1	15432-14-58Y		1	98 FRONT TRIANGLE, EVO 5000 YELLOW SMALL
1	15432-16-58Y		1	98 FRONT TRIANGLE, EVO 5000 YELLOW MEDIUM
1	15432-18-58Y		1	98 FRONT TRIANGLE, EVO 5000 YELLOW LARGE
1	15432-20-58Y		1	98 FRONT TRIANGLE, EVO 5000 YELLOW WAY BIG
1	15432-14-58C		1	98 FRONT TRIANGLE, EVO 5000 CHAMPAGNE SMALL
1	15432-16-58C		1	98 FRONT TRIANGLE, EVO 5000 CHAMPAGNE MEDIUM
1	15432-18-58C		1	98 FRONT TRIANGLE, EVO 5000 CHAMPAGNE LARGE
1	15432-20-58C		1	98 FRONT TRIANGLE, EVO 5000 CHAMPAGNE WAY BIG
1	15432-14-48R		1	98 FRONT TRIANGLE, EVO 4000 RED SMALL
1	15432-16-48R		1	98 FRONT TRIANGLE, EVO 4000 RED MEDIUM
1	15432-18-48R		1	98 FRONT TRIANGLE, EVO 4000 RED LARGE
1	15432-20-48R		1	98 FRONT TRIANGLE, EVO 4000 RED WAY BIG
1	15432-14-48B		1	98 FRONT TRIANGLE, EVO 4000 BLUE SMALL
1	15432-16-48B		1	98 FRONT TRIANGLE, EVO 4000 BLUE MEDIUM
1	15432-18-48B		1	98 FRONT TRIANGLE, EVO 4000 BLUE LARGE
1	15432-20-48B		1	98 FRONT TRIANGLE, EVO 4000 BLUE WAY BIG
2	15482		1	SWINGARM, CARBON
3	14995	RK011	2	SCREW M4 X 8 FHCS
4	14926-1	RK011	1	DERAILLEUR HANGER KIT FS BIKES
5	15311		1	SCREW, M8 X 1.25 X 65 SHCS
6	15709		1	PIVOT AXLE, RIGHT
7	14739-2	RK008	4	QUAD RING
8	15710	RK008	4	BEARING, FLANGED
9	14474		2	SCREW, M6 X 1.0 X 20 SHCS
10	15064		2	PIVOT FACE INSERT
11	15708		1	PIVOT AXLE, LEFT THREADED
12	15945		1	SCREW M6 X 1 X 52 BHCS (SM/MD)
13	15630		1	SCREW M6 X 1 X 38 BHCS
14	15634		2	RUBBER GASKET, CARBON SWINGARM
15	SHOCK		1	SHOCK ASSEMBLY, NR-1 SHOWN



19215 Vashon Hwy. S.W. • Vashon WA 98070 • 206 463 8800 • [www.k2bikes.com](http://www.k2bikes.com)