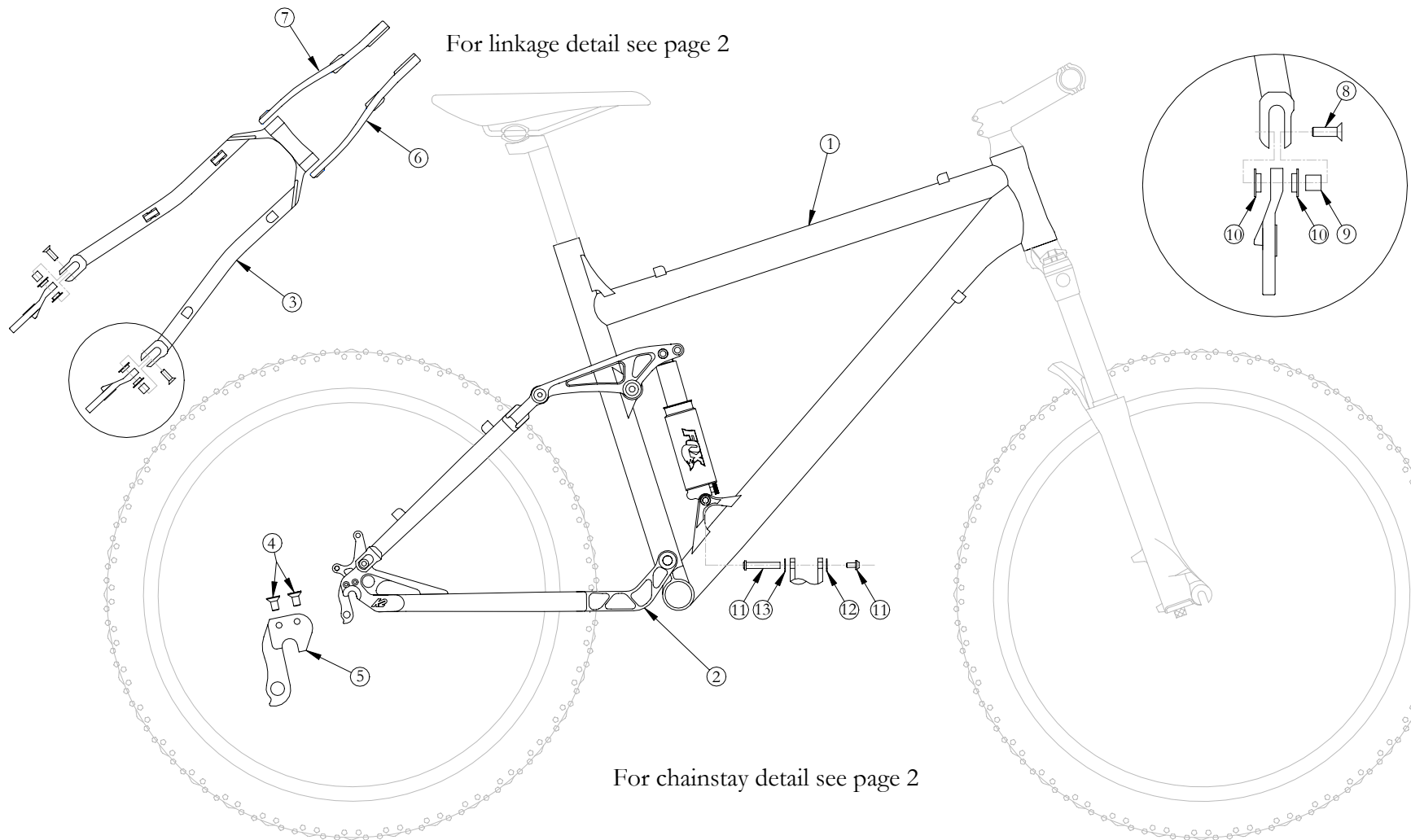
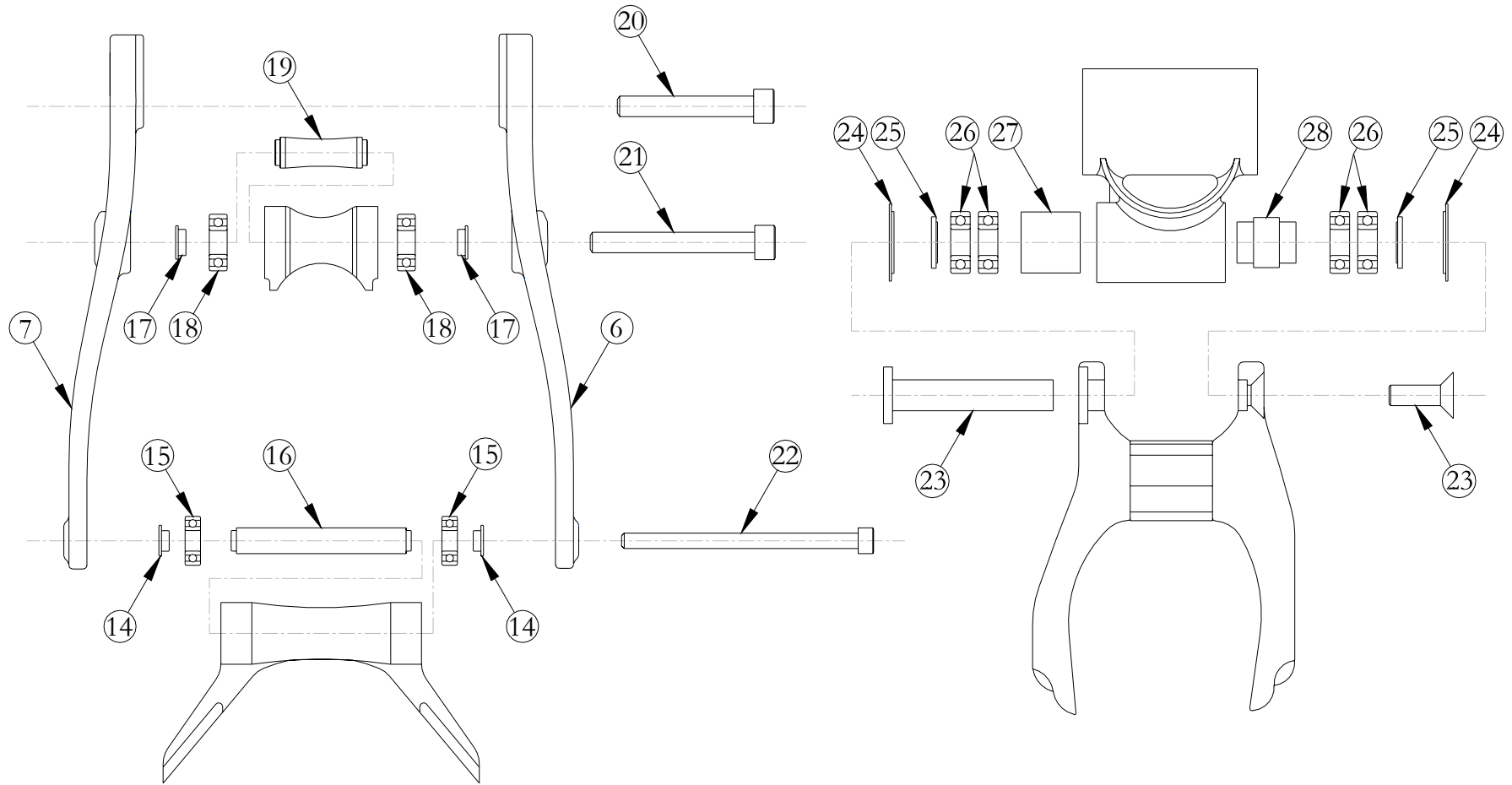


# 2004 Lithium 4.0, 5.0 Frame Assembly



# 2004 Lithium 4.0, 5.0 Frame Assembly



# 2004 Lithium 4.0, 5.0 Frame Assembly

ITEM#	PART#	KIT#	QTY.	DESCRIPTION
1	K04704152		1	04 Front triangle Lithium 4.0 Small
1	K04704154		1	04 Front triangle Lithium 4.0 Medium
1	K04704156		1	04 Front triangle Lithium 4.0 Large
1	K04704158		1	04 Front triangle Lithium 4.0 Extra Large
1	K04706152		1	04 Front triangle Lithium 5.0 Small
1	K04706154		1	04 Front triangle Lithium 5.0 Medium
1	K04706156		1	04 Front triangle Lithium 5.0 Large
1	K04706158		1	04 Front triangle Lithium 5.0 Extra Large
2	K04706150		1	04 Chainstay Lithium 4.0, 5.0
3	K04705150		1	04 Seatstay Lithium 4.0
3	K04707150		1	04 Seatstay Lithium 5.0
4	28-5002-1	RK011	2	Screw M4 x 0.8 FHCS
5	28-4043-4	RK011	1	Derailleur hanger
6	28-9130-4		1	Linkage plate left
7	28-9130-4		1	Linkage plate right
8	28-5027-0-L	K46001	2	Screw, M6 x 1.0 x 20 FHCS
9	28-8165-1	K46001	2	Pivot spacer, dropout inner
10	28-9023-3	K46001	4	Bushing, flanged
11	28-9078-7	K46001	1	Axle Ø8mm x 42mm + screw M6 x 1.0 12 BHCS
12	28-3000-7	K46001	1	Washer Ø16 x Ø6.2 x 1.0
13	28-3000-4	K46001	1	Washer Ø16 x Ø8.5 x 1.0
14	28-8239-0	K46001	2	Pivot spacer, seatstay outer
15	28-9038-8	K46001	2	Cartridge bearing Ø19 x Ø8 x 6.0
16	28-8241-0	K46001	1	Pivot spacer, seatstay inner
17	28-9016-H	K46001	2	Pivot spacer, linkage outer
18	28-9038-B	K46001	2	Cartridge bearing Ø22 x Ø10 x 6.0
19	28-9130-9	K46001	1	Pivot spacer, linkage inner
20	28-5008-5	K46001	1	Screw, M8 x 1.25 x 53 SHCS
21	28-9005-L	K46001	1	Screw, M8 x 1.25 x 64 SHCS
22	28-9005-Z	K46001	1	Screw, M6 x 1.0 x 92 SHCS
23	28-9106-1	K46001	1	Axle, main pivot + screw M8 x 1.25 x 20
24	28-9023-4	K46001	2	Seal washer, main pivot
25	28-5028-0	K46001	2	Pivot spacer, main pivot
26	28-9038-4	K46001	4	Cartridge bearing Ø24 x Ø12 x 6.0
27	28-8164-0	K46001	1	Pivot spacer, main pivot outer
28	28-8164-1	K46001	1	Pivot spacer, main pivot inner

