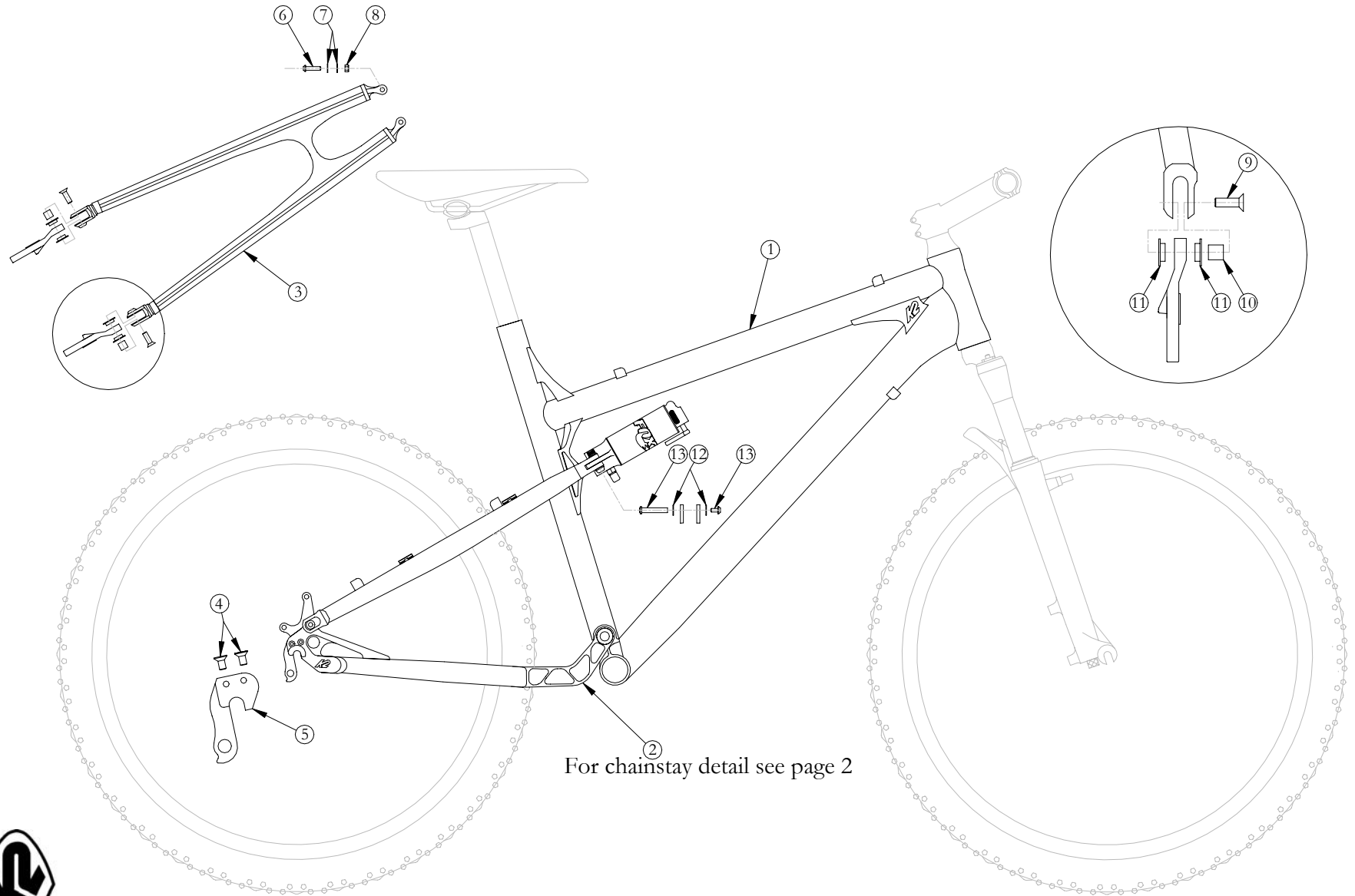
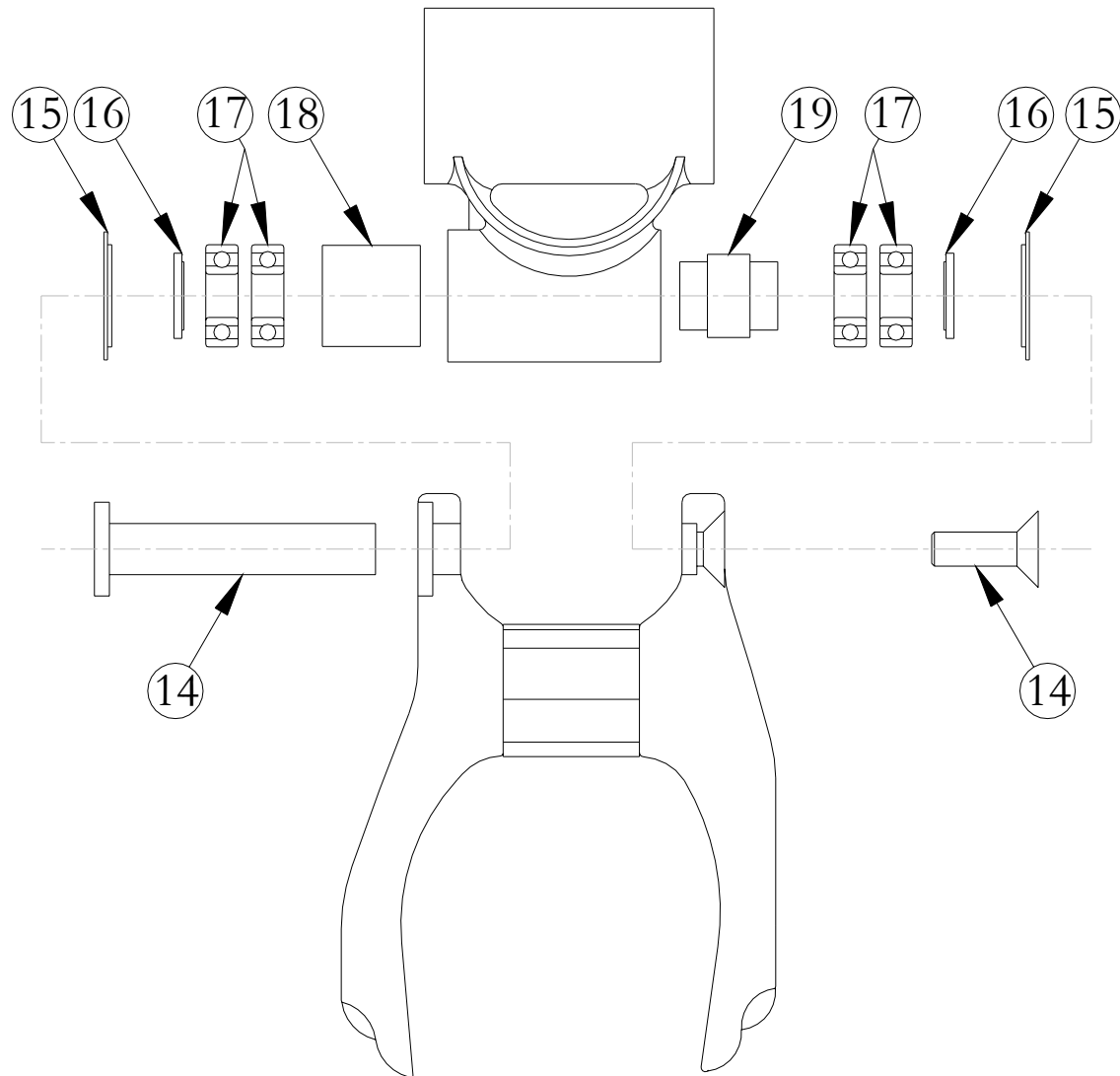


# 2004 Razorback Frame Assembly



# 2004 Razorback Frame Assembly



# 2004 Razorback Frame Assembly

ITEM#	PART#	KIT#	QTY.	DESCRIPTION
1	K04708152		1	04 Front triangle Razorback Comp Small
1	K04708154		1	04 Front triangle Razorback Comp Medium
1	K04708156		1	04 Front triangle Razorback Comp Large
1	K04708158		1	04 Front triangle Razorback Comp Extra Large
1	K04709152		1	04 Front triangle Razorback Team/SL Small
1	K04709154		1	04 Front triangle Razorback Team/SL Medium
1	K04709156		1	04 Front triangle Razorback Team/SL Large
1	K04709158		1	04 Front triangle Razorback Team/SL Extra Large
2	K04711150		1	04 Chainstay Razorback
3	K04710150		1	04 Seatstay Razorback
4	28-5002-1	RK011	2	Screw M4 x 0.8 FHCS
5	28-4043-4	RK011	1	Derailleur hanger
6	28-9120-1		2	Screw M6 x 1.0 x 25 BHCS
7	28-3000-7		4	Washer Ø14 x Ø6.5 x 1.0
8	28-3001-7		2	Nut M6
9	28-5027-0-L		2	Screw, M6 x 1.0 x 20 FHCS
10	28-8165-1	K0225705151	2	Pivot spacer, dropout inner
11	28-9023-3	K0225705151	4	Bushing, flanged
12	28-9122-0		1	Axle Ø6.3mm x 30mm + screw M5 x 0.8 x 12mm FHCS
13	28-3000-7		2	Washer Ø14 x Ø6.5 x 1.0
14	28-9106-1	K0225705151	1	Axle, main pivot + screw M8 x 1.25 x 20
15	28-9023-4	K0225705151	2	Seal washer, main pivot
16	28-5028-0		2	Pivot spacer, main pivot
17	28-9038-4	K0225705151	4	Cartridge bearing Ø24 x Ø12 x 6.0
18	28-8164-0		1	Pivot spacer, main pivot outer
19	28-8164-1		1	Pivot spacer, main pivot inner

