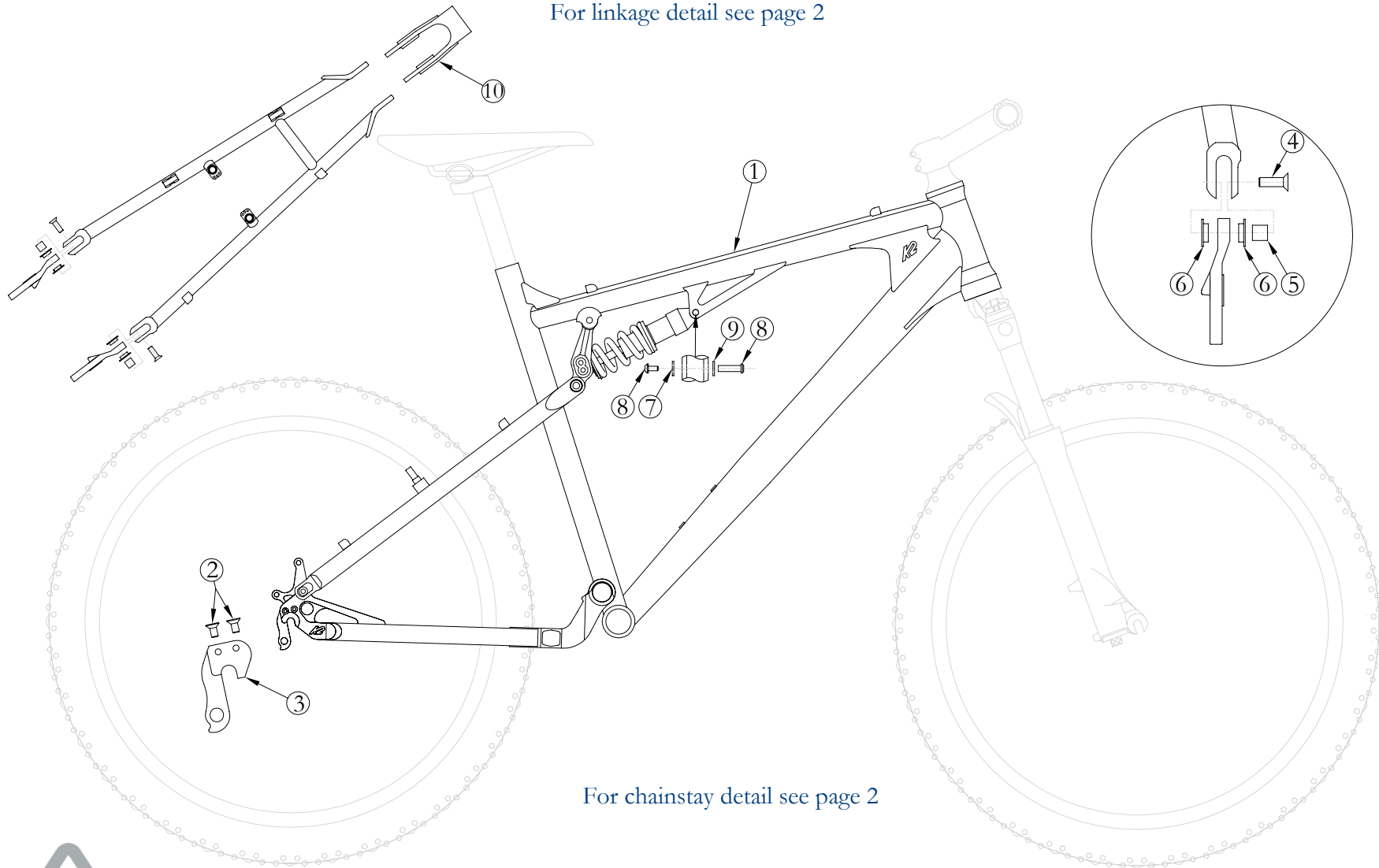


2006 Attack Frame Assembly

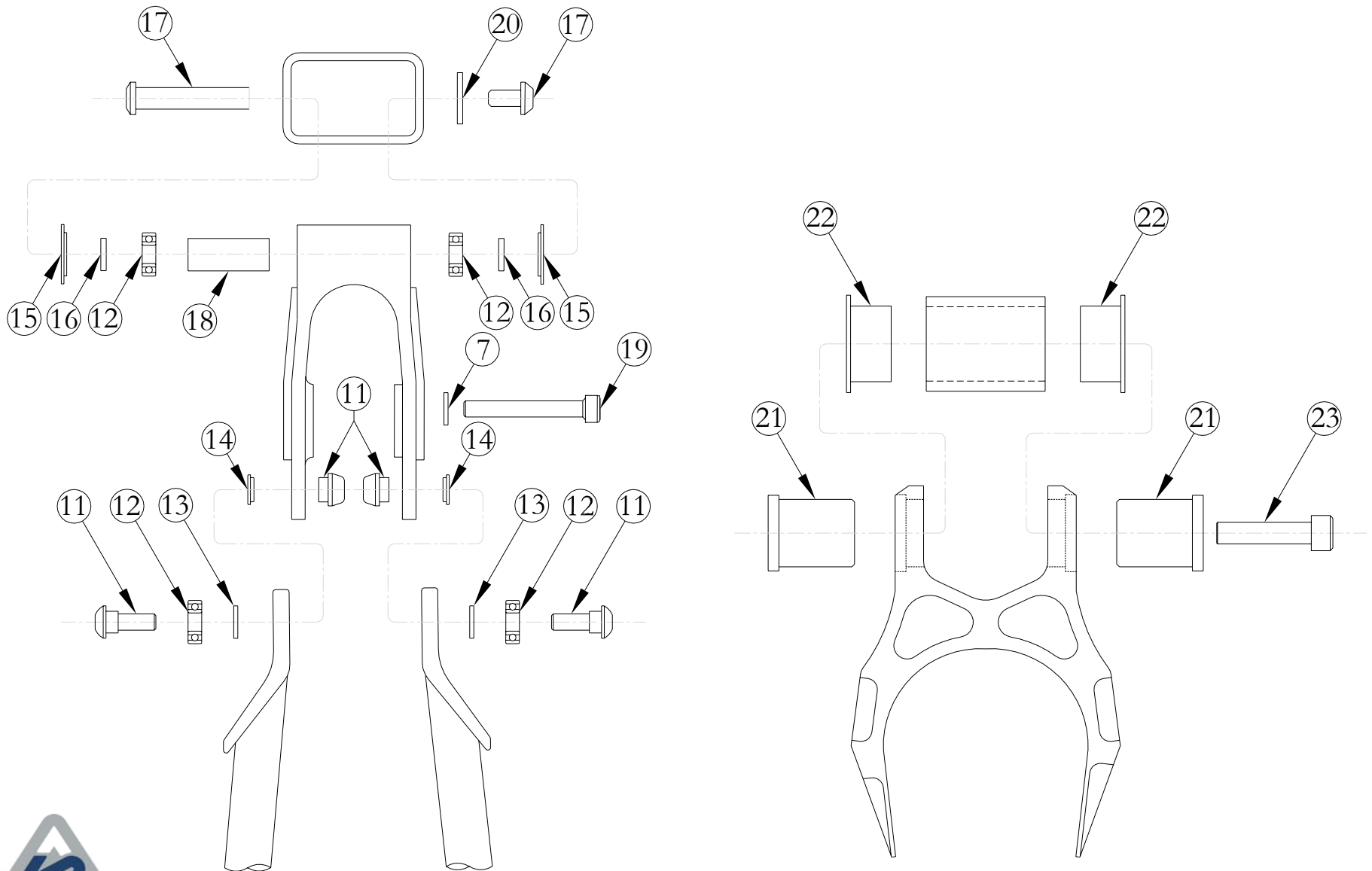
For linkage detail see page 2



For chainstay detail see page 2



2006 Attack Frame Assembly



2006 Attack Frame Assembly

ITEM#	PART#	KIT#	QTY.	DESCRIPTION
1	See Attack 2.0		1	06 Frame set Attack 1.0 Small
1	See Attack 2.0		1	06 Frame set Attack 1.0 Medium
1	See Attack 2.0		1	06 Frame set Attack 1.0 Large
1	See Attack 2.0		1	06 Frame set Attack 1.0 Extra Large
1	K065700152		1	06 Frame set Attack 2.0 Small
1	K065700154		1	06 Frame set Attack 2.0 Medium
1	K065700156		1	06 Frame set Attack 2.0 Large
1	K065700158		1	06 Frame set Attack 2.0 Extra Large
2	28-5002-1	RK011	2	Screw M4 x 0.8 FHCS
3	28-4043-4	RK011	1	Derailleur hanger
4	28-5027-0-L	K46003	2	Screw, M6 x 1.0 x 20 FHCS
5	28-8165-1	K46003	2	Pivot spacer
6	28-9023-3	K46003	4	Bushing, flanged
7	28-3000-7	K46003	2	Washer Ø12 x Ø6.4 x 1.5
8	28-9078-1	K46003	1	Axle Ø8mm x 34mm + screw M6 x 1.0 x 12 BHCS
9	28-3000-4	K46003	2	Washer Ø16 x 8.5 x 1.0
10	28-8179-1		1	Link
11	28-9107-0	K46003	2	Axle Ø8mm x 18mm + nut M6 x 1.0
12	28-9038-5	K46003	4	Cartridge bearing Ø16 x Ø8 x 5.0
13	28-3000-B	K46003	2	Washer, seatstay
14	28-9023-6	K46003	2	Seal washer, linkage pivot
15	28-9023-5	K46003	2	Seal washer, linkage pivot
16	28-3000-A	K46003	2	Washer Ø12 x Ø8 x 2.0
17	Q28-9078-4	K46003	1	Axle Ø8mm x 50mm + screw M6 x 1.0 x 12 BHCS
18	28-8181-0	K46003	1	Pivot Spacer
19	28-9005-F-L	K46003	1	Screw, M6 x 1.0 x 64 SHCS
20	28-3000-5	K46003	1	Washer Ø16 x 6.4 x 2.0
21	28-9088-0	K46003	1	Pivot axle, main pivot left and right
22	28-9016-7	K46003	2	Bushing, flanged
23	28-9005-H-L	K46003	1	Screw, M8 x 1.0 x 35 SHCS

