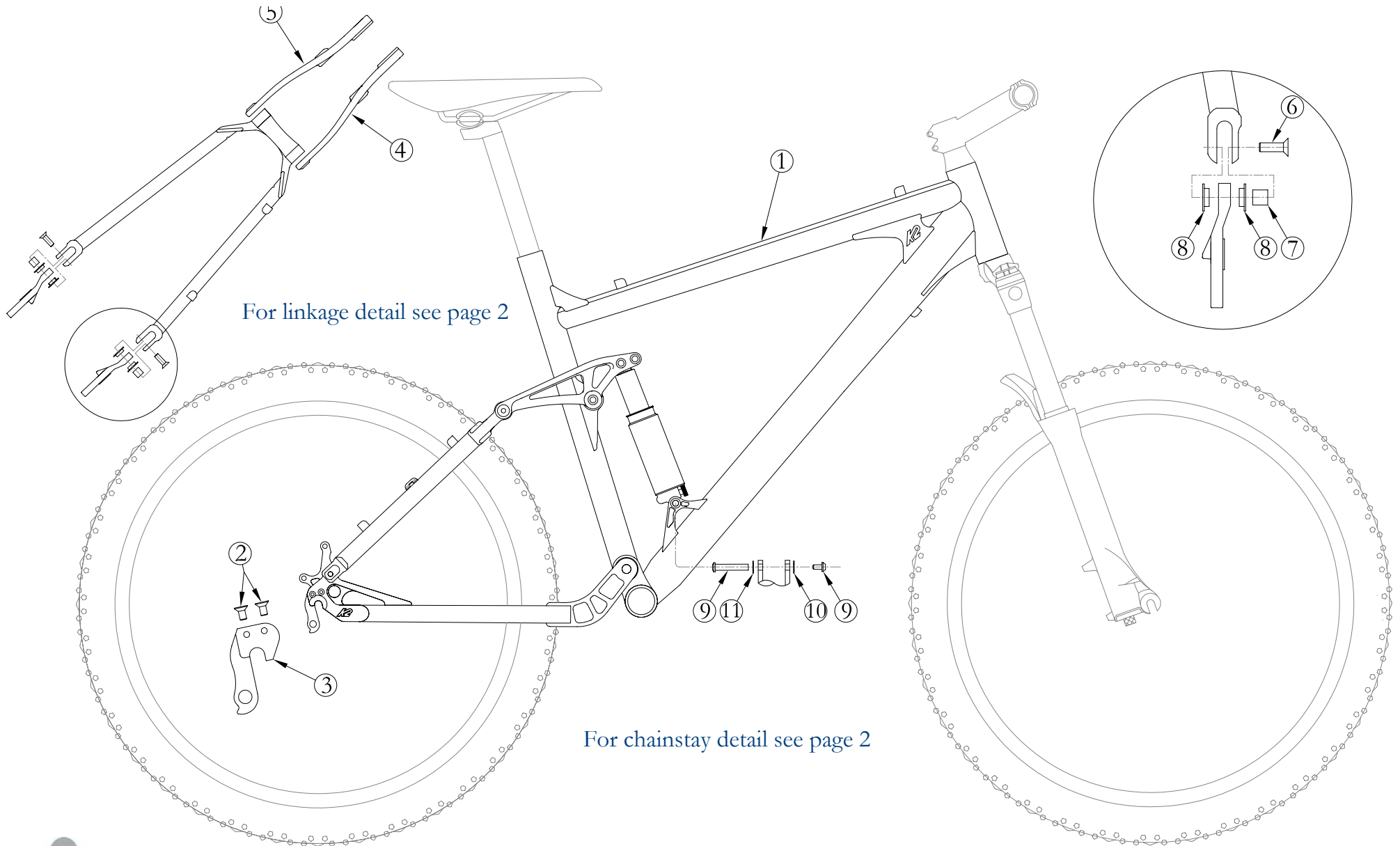
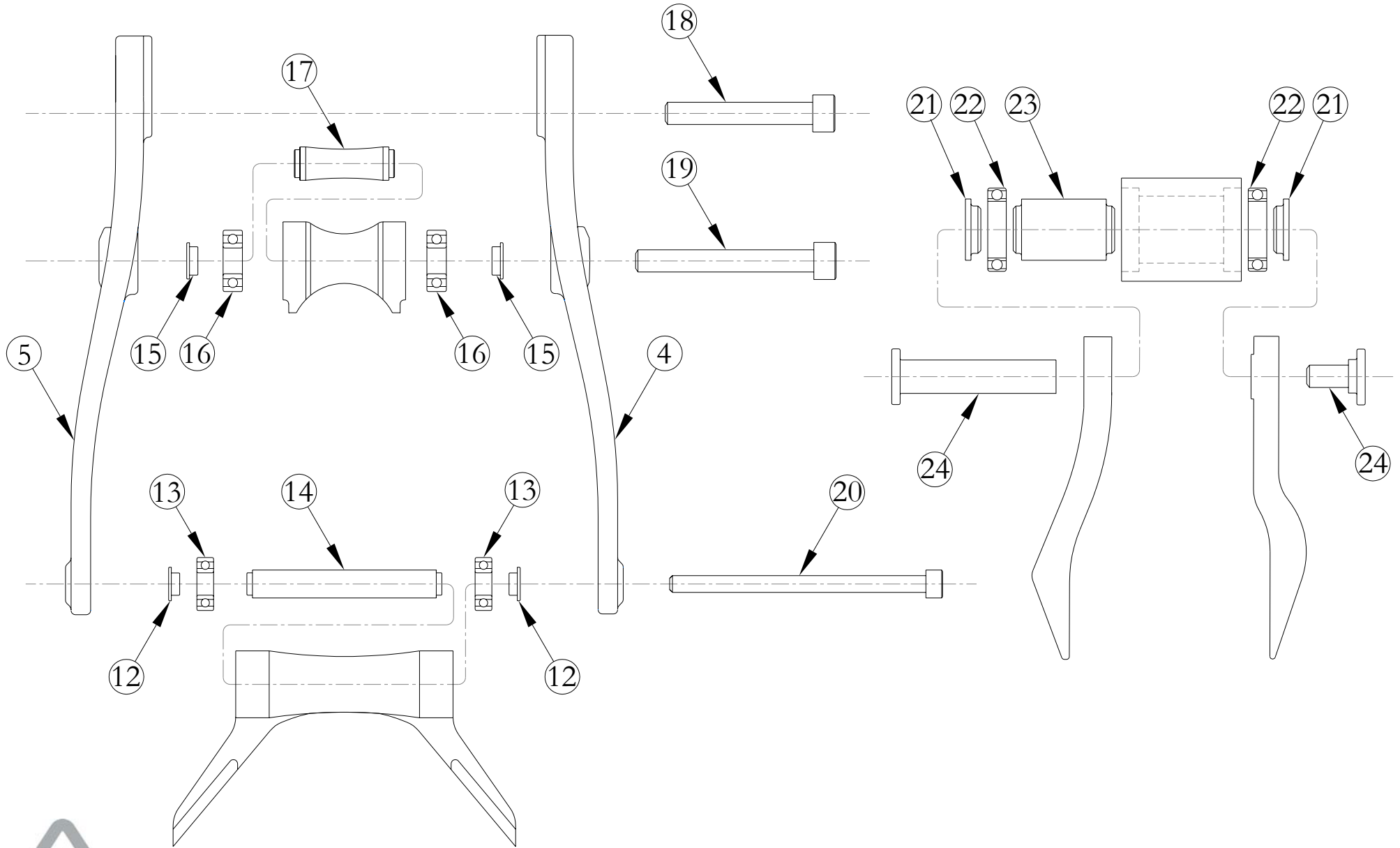


2006 Lithium 3.0 & 4.0 Frame Assembly



2006 Lithium 3.0 & 4.0 Frame Assembly



2006 Lithium 3.0 & 4.0 Frame Assembly

ITEM#	PART#	KIT#	QTY.	DESCRIPTION
1	See Lithium 4.0		1	06 Frame set Lithium 3.0 Small
1	See Lithium 4.0		1	06 Frame set Lithium 3.0 Medium
1	See Lithium 4.0		1	06 Frame set Lithium 3.0 Large
1	See Lithium 4.0		1	06 Frame set Lithium 3.0 Extra Large
1	K065701152		1	06 Frame set Lithium 4.0 Small
1	K065701154		1	06 Frame set Lithium 4.0 Medium
1	K065701156		1	06 Frame set Lithium 4.0 Large
1	K065701158		1	06 Frame set Lithium 4.0 Extra Large
2	28-5002-1	RK011	2	Screw M4 x 0.8 FHCS
3	28-4043-1	RK011	1	Derailleur hanger
4	28-9130-4-R		1	Linkage plate right
5	28-9130-4-L		1	Linkage plate left
6	28-5027-0-L	K069501050	2	Screw M6 x 1.0 x 20 FHCS
7	28-8165-1	K069501050	2	Pivot spacer, dropout inner
8	28-9023-3	K069501050	4	Bushing, flanged
9	28-9078-7	K069501050	1	Axle ø8mm x 42mm + screw M6 x 1.0 x 12 BHCS
10	28-3000-7	K069501050	1	Washer ø16 x ø6.2 x 1.0
11	28-3000-4	K069501050	1	Washer ø16 x ø8.5 x 1.0
12	28-8239-0	K069501050	2	Pivot spacer, seatstay outer
13	28-9038-C	K069501050	2	Cartridge bearing ø19 x ø8 x ø6.0
14	28-8241-0	K069501050	1	Pivot spacer, seatstay inner
15	28-8258-0	K069501050	2	Pivot spacer, linkage outer
16	28-9038-B	K069501050	2	Cartridge bearing ø22 x ø10 x 6.0
17	28-9130-9	K069501050	1	Pivot spacer, linkage inner
18	28-5008-5	K069501050	1	Screw, M8 x 1.25 x 53 SHCS
19	28-9005-L	K069501050	1	Screw, M8 x 1.25 x 64 SHCS
20	28-9005-Z	K069501050	1	Screw, M6 x 1.0 x 92 SHCS
21	28-8176-0	K069501050	2	Pivot spacer, main pivot outer
22	28-9038-1	K069501050	2	Cartridge bearing ø30 x ø17 x 7.0
23	Q28-3006-7	K069501050	1	Pivot spacer, main pivot inner
24	Q28-1040-0	K069501050	1	Axle ø12mm x 66mm + screw M8 x 0.8 x 12

